

Project	Type	Notes
---------	------	-------

MHT LIGHTING

PoE FIXTURE

Line Voltage Fixture



DL Series LED ROUND DOWN LIGHT Series

FEATURES

- PoE Enabled that works with Inspextor
- 0-10V Line Voltage Available

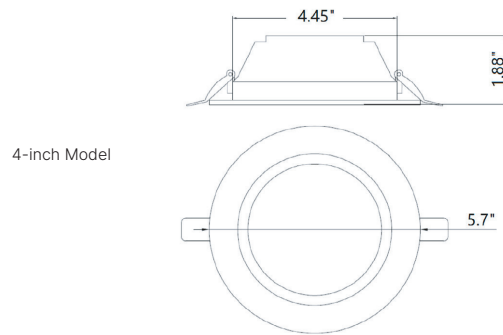
GENERAL INFORMATION

Applications	Airports, Corporate Campuses, Data Centers, Retail, and Health-care Facilities
Warranty	5-Year Warranty
Construction	Die-cast Aluminum Wet Rated Housing with Stainless Steel Clips Lens: White Polycarbonate
Certifications	  

PRODUCT DATA

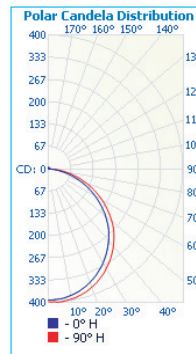
Electrical	Non-Integrated PoE Low Voltage Driver Node or 0-10V Driver
Mounting	Recessed ceiling mount
Lumens	1,000 - 1,550 Lumens
Max Input Power	9/11/14W
CRI	> 80
CCT	3000K/3500K/4000K/5000K
L70 Lifetime	> 50,000 Hours
Rated Lifespan	> 60,000 Hours
Dimensions	4-inch Model: 5.7" x 1.9" 6-inch Model: 7.7" x 1.9"

DIMENSIONS



PHOTOMETRICS

MHTi-DL-SC-4-9E
Luminaire Output: 1,000 lumens, 9 Watts



Center Beam fc	Beam Width	
1.5ft	174 fc	4.0 ft 4.1 ft
3.0ft	43.4 fc	8.0 ft 8.2 ft
4.5ft	19.3 fc	12.0 ft 12.3 ft
6.0ft	10.9 fc	16.0 ft 16.4 ft
7.5ft	6.95 fc	20.0 ft 20.5 ft
9.0ft	4.82 fc	24.0 ft 24.5 ft

■ Vert. Spread: 106.2°
■ Horiz. Spread: 107.5°

FIXTURE PERFORMANCE

Model	Max Wattage	Lumens/Watt
MHT-DL-4-9W	9W	110 lm/W
MHT-DL-4-11W	11W	110 lm/W
MHT-DL-6-11W	11W	110 lm/W
MHT-DL-6-14W	14W	110 lm/W

ORDERING INFO: Sample Code - MHTi-DL-SC-4-9W-35K



Series	Size & Wattage	Color Temperatures	Options
MHT-DL			
PoE: MHTi-DL-SC LV: MHTL-DL	4-9W - 4" Round 9W (PoE/LV) 4-11W - 4" Round 11W (PoE/LV) 6-11W - 6" Round 11W (PoE/LV) 6-14W - 6" Round 14W (PoE/LV)	3K - 3000K 35K - 3500K 4K - 4000K 5K - 5000K	(Blank) - Standard in White Trim