

MHT LIGHTING

PoE FIXTURE





PAR20 Series

LED PoE PAR20 Kit Series

FEATURES

- LED Surface Mounted LED Square Downlight Fixture Designed for 4-inch J-Box
- PoE Enabled, controlled using Inspextor

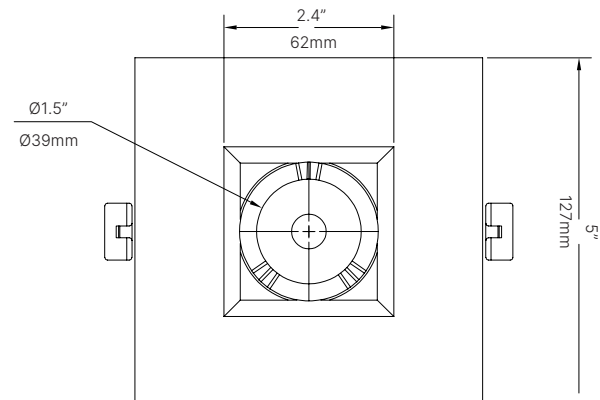
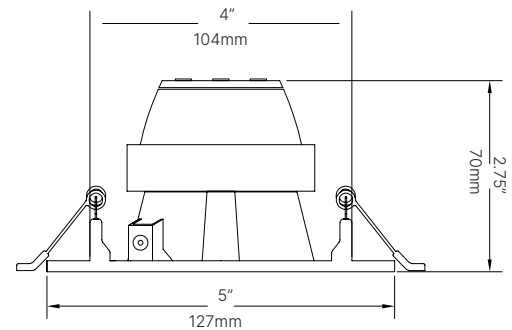
GENERAL INFORMATION

Applications	Bathrooms, Corridors, and Other Interior Spaces
Warranty	5-Year Warranty
Construction	Die-cast Aluminum White Housing with Steel Spring Clips Lens: Polycarbonate Optical
Certifications	  

PRODUCT DATA

Electrical	Non-Integrated PoE Low Voltage Driver Node
Mounting	Recessed Ceiling Mount
Lumens	900 Lumens
Max Input Power	9W
CRI	> 80
CCT	2700K/3000K/3500K/4000K/5000K
L70 Lifetime	> 50,000 Hours
Rated Lifespan	> 50,000 Hours
Dimensions	5" x 5" x 3"

DIMENSIONS



FIXTURE PERFORMANCE

Model	Max Wattage	Lumens/Watt
MHTi-PAR20-SC-9E-3K-35	9W	100 lm/W

ORDERING INFO: Sample Code - MHTi-PAR20-SC



Series	Size & Wattage	Color Temperatures	Distributions	Options
MHTi-PAR20-SC				
MHTi-PAR20-SC	9E - 9W	27K - 2700K 3K - 3000K 35K - 3500K 4K - 4000K 5K - 5000K	35 - 35° 50 - 50° 65 - 65°	(Blank) - Standard Square Trim in White Other Trim and Colors are Available