

MHT LIGHTING

PoE FIXTURE

Line Voltage Fixture

RFM Series

LED ROUND PANEL Series

FEATURES

- PoE Enabled that works with Inspextor
- 0-10V Line Voltage Available
- Multiple mounting options

GENERAL INFORMATION

Applications Corporate Campuses, Conference and Meeting Rooms, Educa-tion, and Healthcare Facilities

Warranty 10-Year Limited Warranty

Construction Die-cast Aluminum Trim Lens: White Acrylic

Certifications



PRODUCT DATA

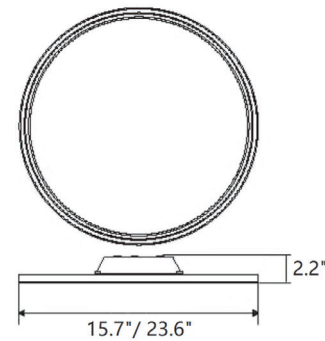
Electrical	Remote PoE Low Voltage Driver Node or 0-10V LED Driver
Mounting	Flush mount
Lumens	2,000 - 4,000 Lumens
Max Input Power	PoE: 28W Line Voltage: 40W
CRI	>85
CCT	3000K/3500K/4000K/5000K/Tunable (2700K to 5700K)
L70 Lifetime	> 50,000 Hours
Rated Lifespan	> 100,000 Hours
Dimensions	15-20E - 15.7" x 2.2" 20-28E - 23.6" x 2.2"

ORDERING INFO: Sample Code - MHTI-RFM-SC-20-28E-3K

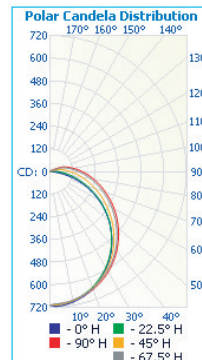
Series	Size & Wattage	Color Temperatures	Options
RFM			
PoE: MHTI-RFM-SC LV:MHTL-RFM	15"- 20W/30W (PoE/LV) 20"-28W/40W (PoE/LV)	3K - 3000K 35K - 3500K 4K - 4000K 5K - 5000K AT - 2700K to 5700K	(Blank) - Standard in White



DIMENSIONS



PHOTOMETRICS



	Center Beam fc	Beam Width	
1.5ft	313 fc	4.2 ft	6.1 ft
3.0ft	78.3 fc	8.4 ft	12.2 ft
4.5ft	34.8 fc	12.6 ft	18.3 ft
6.0ft	19.6 fc	16.8 ft	24.4 ft
7.5ft	12.5 fc	21.0 ft	30.5 ft
9.0ft	8.70 fc	25.2 ft	36.6 ft

■ Vert. Spread: 108.9°
■ Horiz. Spread: 127.6°

FIXTURE PERFORMANCE

Model	Max Wattage	Lumen/Watt
MHT-RFM-15-20/30W	30W	100 lm/W
MHT-RFM-20-28/40W	40W	100 lm/W

MHT Technologies