

MHT LIGHTING

PoE FIXTURE

Line Voltage Fixture






SMD Series

LED SURFACE MOUNTED DOWNLIGHT Series

FEATURES

- PoE Enabled that works with Inspextor
- 0-10V Line Voltage Available
- LED Surface Mounted LED Square Downlight Fixture Designed for 4-inch J-Box

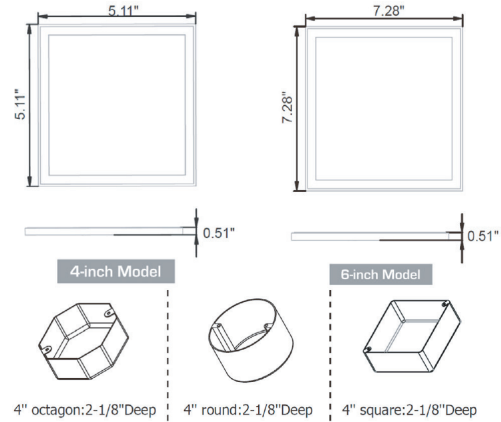
GENERAL INFORMATION

Applications	Bathrooms, Corridors, and Other Interior Spaces
Warranty	5-Year Warranty
Construction	Die-cast Alumium Trim Lens: White Frosted Polycarbonate
Certifications	  

PRODUCT DATA

Electrical	Non-Integrated PoE Low Voltage Driver Node, Sensor and Emergency Battery Backup.
Mounting	Ceiling surface mount
Lumens	1,000-1,400 Lumens
Max Input Power	PoE/Line Voltage: 10W/14W
CRI	> 90
CCT	3000K/3500K/4000K/5000K
L70 Lifetime	> 50,000 Hours
Rated Lifespan	> 60,000 Hours
Dimensions	4-inch - 5.11" x 5.11" x 0.51 6-inch - 7.28" x 7.28" x 0.51

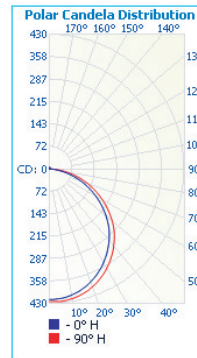
DIMENSIONS



4-inch Model is not compatible with 4" square box

PHOTOMETRICS

MHTi-SMD-SC-S-4-10E
Luminaire Ouput: 1,056 lumens, 10 Watts



Center Beam Fc	Beam Width	
	Beam Width	Beam Width
1.5ft	185 fc	4.0 ft 4.1 ft
3.0ft	46.2 fc	8.0 ft 8.2 ft
4.5ft	20.5 fc	12.0 ft 12.3 ft
6.0ft	11.5 fc	16.0 ft 16.4 ft
7.5ft	7.39 fc	20.0 ft 20.5 ft
9.0ft	5.13 fc	24.0 ft 24.5 ft

■ Vert. Spread: 106.2°
■ Horiz. Spread: 107.5°

FIXTURE PERFORMANCE

Model	Max Wattage	Lumens/Watt
MHT-SMD-S-4-10W	10W	100 lm/W
MHT-SMD-S-6-14W	14W	100 lm/W

ORDERING INFO: Sample Code - MHTi-SMD-S-SC-4-10E-4K

Series	Size & Wattage	Color Temperatures	Options
MHT-SMD-S			
PoE: MHTi-SMD-SC LV: MHTL-SMD	S-4-10W (PoE/LV) S-6-14W (PoE/LV)	3K - 3000K 35K - 3500K 4K - 4000K 5K - 5000K	(Blank) - Standard in White Trim

