

| Project | Type | Notes |
|---------|------|-------|
| | | |

MHT LIGHTING

LINE VOLTAGE FIXTURE

MHTL-DSWP-ECO LED DARKSKY WALLPACK SERIES

FEATURES

- Full Cutoff – Dark Sky Compliant - Type III Distribution
- 0-10V Dimming Driver
- Standard 4kV Surge Protection

GENERAL INFORMATION

Applications Building Exterior / Parking Garage / Railway Platform / Security Lighting / Walkway

Warranty 10-Year Limited Warranty

Construction Die Cast Aluminum Housing (Bronze)
Clear Tempered Glass Lens

Certifications



PRODUCT DATA

Universal Input Voltage 120 - 277V

Optional Input Voltage 347V/480V

Power Factor > 0.90 @277V

Mounting Wall Mount

Lumens 12,500 Lumens

Max Input Power 100W

CRI > 75

CCT 4000K/5000K

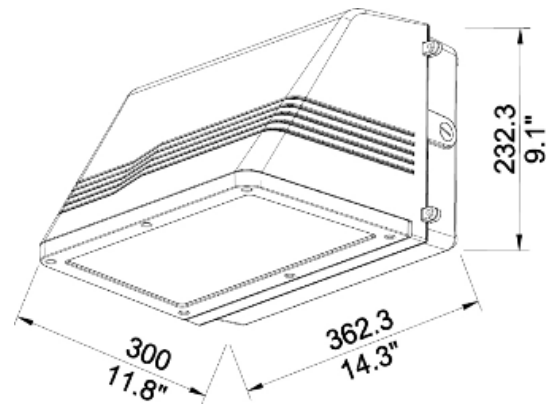
L70 > 100,000 Hours

Rated Lifespan > 100,000 Hours

THD < 20% @277V



DIMENSIONS



FIXTURE PERFORMANCE

| Model | Input Power | Lumens | CCT | Dimensions |
|-------------------------|-------------|--------|-------|----------------------|
| MHTL-DSWP-ECO-40E-4K-U | 40W | 5,000 | 4000K | 14.3" x 9.1" x 11.8" |
| MHTL-DSWP-ECO-60E-4K-U | 60W | 7,500 | 4000K | 14.3" x 9.1" x 11.8" |
| MHTL-DSWP-ECO-80E-4K-U | 80W | 10,000 | 4000K | 14.3" x 9.1" x 11.8" |
| MHTL-DSWP-ECO-100E-4K-U | 100W | 12,500 | 4000K | 14.3" x 9.1" x 11.8" |

ORDERING INFO: Sample Code - MHTL-DSWP-ECO-40-4K-U-SPD



| Series | Wattage | Color Temperatures | Input Voltage | Options |
|---------------|-----------------------|----------------------|------------------------------------|---|
| MHTL-DSWP-ECO | | | | |
| MHTL-DSWP-ECO | 40 60 80 100 | 4K=4000K 5K=5000K | U=120-277V 347=347V 480=480V | (Blank) - Standard in Bronze SPD=Surge Protective Device |