

Project	Type	Notes
---------	------	-------

MHT LIGHTING

LINE VOLTAGE FIXTURE

MHTL-FLD-HO LED HIGH OUTPUT FLOOD SERIES

FEATURES

- Fixture Protection Class IP66 and IK08
- 0-10V, DALI and DMX Control Options
- 6kV Surge Protection

GENERAL INFORMATION

Applications	Aprons / Hangar / High Mast / Racecourse / Outdoor Stadiums
Warranty	10-Year Limited Warranty
Construction	Die Cast Aluminum Housing and Steel Construction Clear Tempered Glass Lens and PC Optical Lens
Certifications	  

PRODUCT DATA

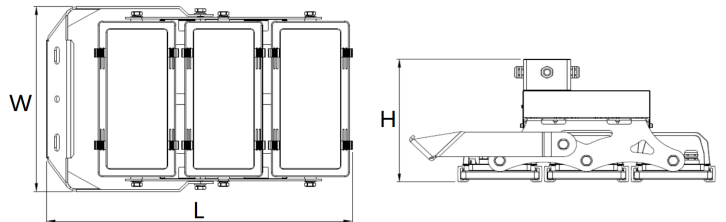
Universal Input Voltage	120 - 277V
Optional Input Voltage	347V/480V
Power Factor	> 0.95 @277V
Mounting	Adjustable Yoke mount for Flood Applications
Lumens	84,000 Lumens
Max Input Power	200W
CRI	> 75
CCT	3000K to 5000K
L70	> 100,000 Hours
Rated Lifespan	> 100,000 Hours
THD	< 15% @277V

ORDERING INFO: Sample Code - MHTL-FLD-HO-200-3K-U-10-CP

Series	Wattage	Color Temperatures	Input Voltage	Distribution	Options
MHTL-FLD-HO					
MHTL-FLD-HO	200 400 600	3K=3000K 4K=4000K 5K=5000K	U=120-277V 347=347V 480=480V	10=10° 15=15° 30=30° 45=45° 60=60° 15X40=15°X40°	(Blank) - Standard in White CP=Cord & Plug (Specify Cord & Plug) SPD=20kV Surge Protective Device DALI=DALI Control DMX=DMX Control VISOR=Visor (Blocks Uplight)



DIMENSIONS



Model	L (Length)	W (Width)	H (Height)	# of LED Modules	Weight (with Bracket)
200W	12.4"	12.6"	4.6"	1	10 lbs
400W	16.5"	13.4"	8.7"	2	21 lbs
600W	20.8"	13.4"	8.9"	3	35 lbs

FIXTURE PERFORMANCE

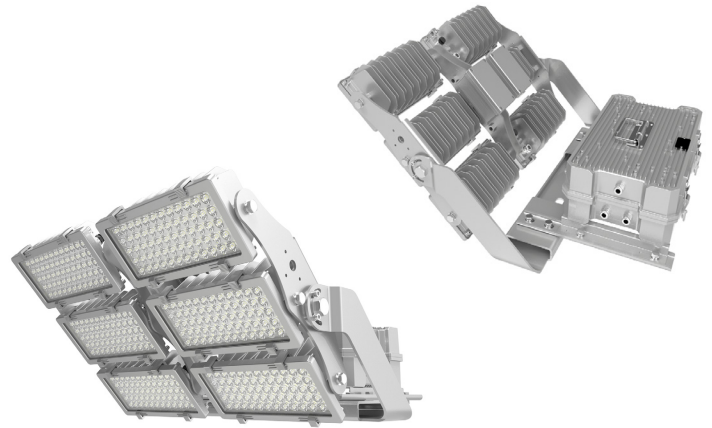
Model	Input Power	Lm/W	Lumen	Dimensions (with Yoke Mount)
MHTL-FLD-HO-200E-5K	200W	140	28,000	12.4" x 12.6" x 4.6"
MHTL-FLD-HO-400E-5K	400W	140	56,000	16.5" x 13.4" x 8.7"
MHTL-FLD-HO-600E-5K	600W	140	84,000	20.8" x 13.4" x 8.9"



Project	Type	Notes

MHT LIGHTING

LINE VOLTAGE FIXTURE



MHTL-FLD-HO LED HIGH OUTPUT FLOOD SERIES

FEATURES

- Adjustable Yoke Mount for Flood Applications
- Available in Multiple Light Distributions
- Fixture Protection Class IP65 and IK08
- 0-10V, DALI and DMX Control Options
- 6kV Surge Protection

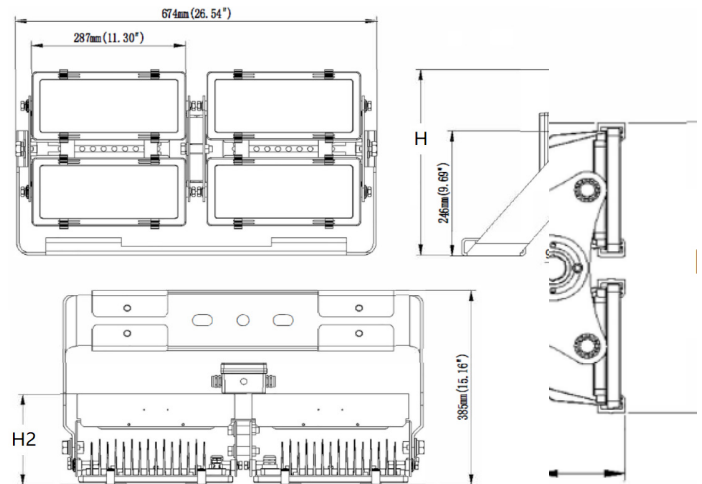
GENERAL INFORMATION

Applications	Aprons / Hangar / High Mast / Racecourse / Outdoor Stadiums
Warranty	10-Year Limited Warranty
Construction	Die Cast Aluminum Housing and Steel Construction Clear Tempered Glass Lens and PC Optical Lens
Certifications	   

PRODUCT DATA

Universal Input Voltage	120 - 277V
Optional Input Voltage	347V/480V
Power Factor	> 0.95 @277V
Mounting	Adjustable Yoke Mount for Flood Applications
Lumens	168,000 Lumens
Max Input Power	1200 W
CRI	> 75
CCT	3000K to 5000K
L70	> 100,000 Hours
Rated Lifespan	> 100,000 Hours
THD	< 15% @277V

DIMENSIONS



Model	H	H1	H2
800W	16.1"	12.4"	7.1"
1200W	18.6"	17.5"	4.7"

FIXTURE PERFORMANCE

Model	Input Power	Module	Lm/W	Lumen	Dimensions (with Yoke Mount)
MHTL-FLD-HO-800E-5K	800W	4	140	112,000	26.5" x 15.1" x 16.1"
MHTL-FLD-HO-1200E-5K	1200W	6	140	168,000	26.5" x 15.1" x 18.6"

ORDERING INFO: Sample Code - MHTL-FLD-HO-200-3K-U-10-CP



Series	Wattage	Color Temperatures	Input Voltage	Distribution	Options
MHTL-FLD-HO					
MHTL-FLD-HO	800 1200	3K=3000K 4K=4000K 5K=5000K	U=120-277V 347=347V 480=480V	10=10° 15=15° 30=30° 45=45° 60=60° 15X40=15°X40°	(Blank) - Standard in White CP=Cord & Plug (Specify Cord & Plug) SPD=20kV Surge Protective Device DALI=DALI Control DMX=DMX Control VISOR=Visor (Blocks Uplight)