

# MHT LIGHTING

## LINE VOLTAGE FIXTURE

## MHTL-FLD LED FLOOD LIGHT SERIES

### FEATURES

- Light Distribution - NEMA Flood 5 X 6
- Fixture Protection Class IP65
- Standard 4kV Surge Protection

### GENERAL INFORMATION

Applications Building Exterior / Loading Dock / Security Lighting / Walk Way

Warranty 10-Year Limited Warranty

Construction ADC12 Cast Aluminum Housing (Bronze)  
High Performance and Durable Optical Lens

Certifications



### PRODUCT DATA

Universal Input Voltage 120 - 277V

Optional Input Voltage 347V/480V

Power Factor > 0.90 @277V

Mounting Multiple Mounting Options

Lumens 13,000 Lumens

Max Input Power 100W

CRI > 70

CCT 4000K/5000K

L70 > 100,000 Hours

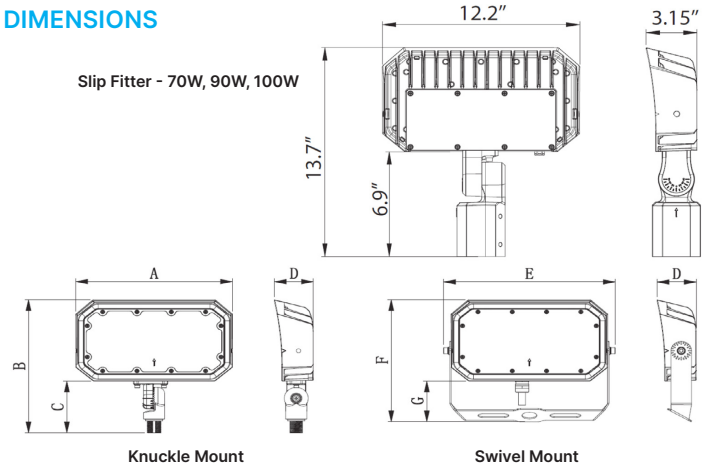
Rated Lifespan > 100,000 Hours

THD < 20% @277V



### DIMENSIONS

Slip Fitter - 70W, 90W, 100W



ITEM	A	B	C	D	E	F	G
100W 90W 70W	12"	11.7"	4.8"	3.15"	13.0"	10.9"	4.1"
50W	9.0"	8.4"	2.2"	2.3"	9.8"	7.7"	2.6"
30W	7.0"	7.2"	3.3"	2.0"	7.8"	6.5"	2.5"
15W	5.1"	6.1"	3.3"	1.8"	5.7"	4.3"	1.5"

### FIXTURE PERFORMANCE

Model	Input Power	Lumens	Dimensions	EPA at 0° (ft²)
MHTL-FLD-15E-5K-U-SW-TL	15W	2,000	5.7" x 4.3" x 1.8"	0.8
MHTL-FLD-30E-5K-U-SW-TL	30W	4,000	7.8" x 6.5" x 2.0"	0.8
MHTL-FLD-50E-5K-U-SW-TL	50W	6,500	9.8" x 7.7" x 2.3"	0.8
MHTL-FLD-70E-5K-U-SW-TL	70W	9,100	13" x 10.9" x 3.15"	0.8
MHTL-FLD-90E-5K-U-SW-TL	90W	12,000	13" x 10.9" x 3.15"	0.8
MHTL-FLD-100E-5K-U-SW-TL	100W	13,000	13" x 10.9" x 3.15"	0.8

ORDERING INFO: Sample Code - MHTL-FLD-15-4K-U-SF-PC

MHT Technologies

Series	Wattage	Color Temperatures	Input Voltage	Mounting	Options
MHTL-FLD					
MHTL-FLD	15 30 50 70 90 100	4K=4000K 5K=5000K	U=120-277V 480=480V	SF=Slip Fitter SW=Swivel Mount KM=Knuckle Mount	(Blank) - Standard in Bronze PC=Photocell