

MHT LIGHTING

LINE VOLTAGE FIXTURE

MHTL-LWP LED WALLPACK SERIES

FEATURES

- Polycarbonate Cover/Diffuser
- 140 Degree Forward Throw Distribution
- Integrated Button Type Photozell Control
- 0-10V Dimming Driver
- 4kV Surge Protection

GENERAL INFORMATION

Applications ATM / Building Exterior / Garage / Security Lighting / Walkway

Warranty 10-Year Limited Warranty

Construction Compact Lightweight Design
Die Cast Aluminum Bottom Housing

Certifications



PRODUCT DATA

Universal Input Voltage 120 - 277V

Optional Input Voltage 347V/480V

Power Factor > 0.95 @277V

Mounting Wall Surface Mount

Lumens 3,300 Lumens

Max Input Power 30W

CRI > 80

CCT 4000K/5000K

L70 > 100,000 Hours

Rated Lifespan > 100,000 Hours

THD < 15% @277V

ORDERING INFO: Sample Code - MHTL-LWP-18-4K-U

Series	Wattage	Color Temperatures	Input Voltage
MHTL-LWP			U
MHTL-LWP	18 30	4K=4000K 5K=5000K	U=120-277V

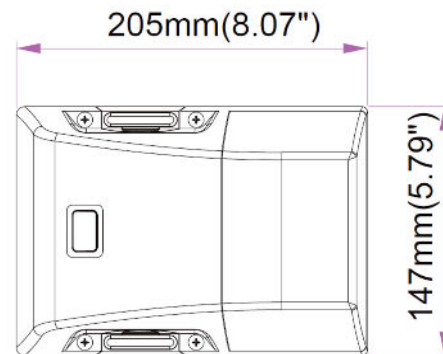
FIXTURE PERFORMANCE



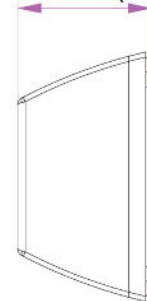
Model	Input Power	Lm/W	Lumens	Dimensions
MHTL-LWP-18E	18W	110	2,000	8.07" x 5.79" x 3.09"
MHTL-LWP-30E	30W	110	3,300	8.07" x 5.79" x 3.09"



DIMENSIONS



78.5mm (3.09")



- Power Cord or Leads is Not Included