

Project	Type	Notes
---------	------	-------

MHT LIGHTING

LINE VOLTAGE FIXTURE



MHTL-RCL-PRM LED ROUND GARAGE SERIES

FEATURES

- Fixture Protection Class IP65
- Available Integrated Microwave Motion Sensor
- Highly Efficient LED Driver and Nichia LEDs
- Surge Protection

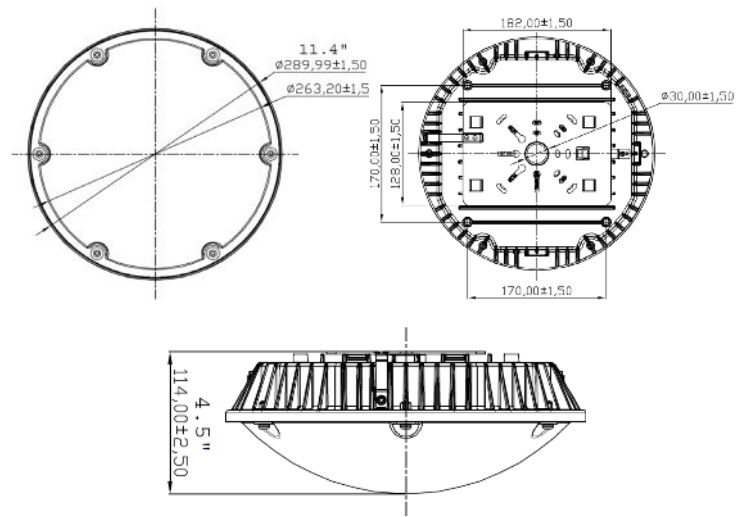
GENERAL INFORMATION

Applications	Canopy / Parking Garage / Manufacturing/Warehouse / Walkway
Warranty	10-Year Limited Warranty
Construction	ADC12 Die Cast Aluminum Housing (White) Low Glare Frosted Polycarbonate Drop Lens Low Profiled Design - 4.5" Overall Height

Certifications



DIMENSIONS



- Standard with Surface Mount Bracket and Ready for 3/4" Pendant
- Standard 1ft. Power Cable From the Top Side

PRODUCT DATA

Universal Input Voltage	120 - 277V
Optional Input Voltage	347V/480V
Power Factor	> 0.90 @277V
Mounting	Surface Mount OR 3/4" Pendant
Lumens	9,000 Lumens
Max Input Power	60W
CRI	> 84
CCT	4000K/5000K
L70 Lifetime	> 100,000 Hours
Rated Lifespan	> 100,000 Hours
THD	< 17% @277V

FIXTURE PERFORMANCE

Model	Input Power	CCT	Lm/W	Lumens	Dimensions
MHTL-RCL-PRM-40E-4K-U	40W	4000K	135	5,400	Ø11.4" x 4.5"
MHTL-RCL-PRM-40E-5K-U	40W	5000K	135	5,400	Ø11.4" x 4.5"
MHTL-RCL-PRM-60E-4K-U	60W	4000K	150	9,000	Ø11.4" x 4.5"
MHTL-RCL-PRM-60E-5K-U	60W	5000K	150	9,000	Ø11.4" x 4.5"

ORDERING INFO: Sample Code - MHTL-RCL-PRM-40-3k-U-SM



Series	Wattage	Color Temperatures	Input Voltage	Mountings	Options
MHTL-RCL-PRM					
MHTL-RCL-PRM	40 60	3K=3000K 35K=3500K 4K=4000K 5K=5000K	U=120-277V 347=347V 480=480V	SM=Surface Mount PM=3/4" Pendant	(Blank) - Standard in Matte White DB=1-10V Dimming Driver SPD=20kV Surge Protective Device OS-On/Off=On/Off Motion Sensor OS-Dim=Dimming Motion Sensor (Microwave Sensor)