

Project	Type	Notes

# MHT LIGHTING

## LINE VOLTAGE FIXTURE



## MHTL-WF LED WALLPACK/FLOOD SERIES

### FEATURES

- Fixture Protection Class IP65
- Full Cutoff – Dark Sky Compliant
- Optional Extruded Arm, Swivel, Slip Fitter or Knuckle Mount
- Available Integrated Emergency Battery Backup (60W/85W)
- 0-10V Dimming
- 6kV Surge Protection

### GENERAL INFORMATION

Applications Building Exterior / Parking Garage / Security Lighting / Walkway

Warranty 10-Year Limited Warranty

Construction Die Cast Aluminum Housing (Brown)  
Flat Clear Tempered Glass Lens

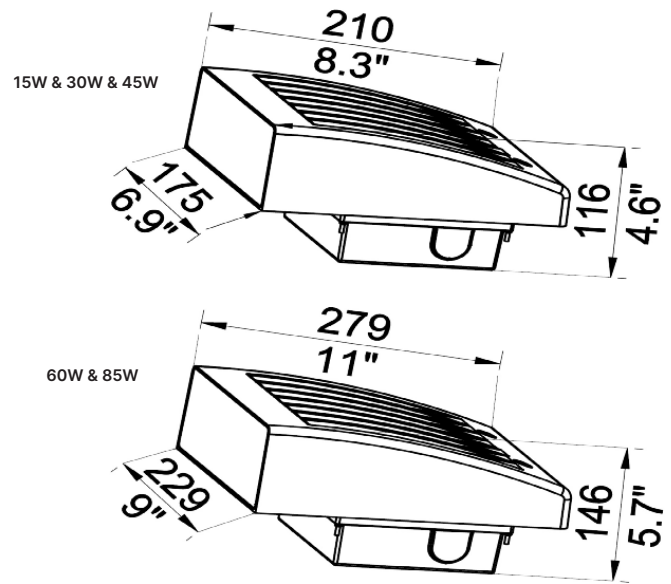
Certifications



### PRODUCT DATA

Universal Input Voltage	120 - 277V
Optional Input Voltage	347V/480V
Power Factor	> 0.99
Mounting	Standard Wall/Ceiling Surface Mount
Lumens	8,900 Lumens
Max Input Power	85W
CRI	> 80
CCT	3000K/3500K/4000K/5000K
L90	> 60,000 Hours
Rated Lifespan	> 100,000 Hours
THD	< 10%

### DIMENSIONS



- 15W, 30W and 45W Mounting Bolt Patterns: 3 1/4" X 3 1/4"; Hole Size: 1/4"  
- 60W and 85W Mounting Bolt Patterns: 4 13/16" X 4 13/16"; Hole Size: 1/4"

### FIXTURE PERFORMANCE

Model	Input Power	CCT	Lm/W	Lumens	Dimensions	EPA at 0° (ft²)
MHTL-WF-15E-5K-U	15W	5000K	102	1,400	8.3" x 6.9" x 4.6"	0.41
MHTL-WF-30E-5K-U	30W	5000K	113	3,300	8.3" x 6.9" x 4.6"	0.41
MHTL-WF-45E-5K-U	45W	5000K	115	5,100	8.3" x 6.9" x 4.6"	0.41
MHTL-WF-60E-5K-U	60W	5000K	110	6,500	11" x 9" x 5.7"	0.69
MHTL-WF-85E-5K-U	85W	5000K	105	8,900	11" x 9" x 5.7"	0.69

MHTL-WF-15E-5K-U, MHTL-WF-30E-4K-U  
MHTL-WF-60E-4K-U, MHTL-WF-85E-4K-U  
are DLC Listed Product

### ORDERING INFO: Sample Code - MHTL-WF-15-3K-U-SW-EM



Series	Wattage	Color Temperatures	Input Voltage	Mounting	Options
MHTL-WF					
MHTL-WF	15 30 45 60 85	3K=3000K 35K=3500K 4K=4000K 5K=5000K	U=120-277V 347=347V 480=480V	SW=Swivel Mount KM=Knuckle Mount SF=Slip Fitter EA6/EA10=6"/10" Arm (Square Pole)	(Blank) - Standard in Brown PC=Button Type Photocell (60/85W) VISOR=Glare Shield (Blocks Uplight) EM=Emergency Backup (60/85W) SPD=20kV Surge Protective Device OS-On/Off=On/Off Motion Sensor OS-Dim=Dimming Motion Sensor