

Project	Type	Notes

# MHT LIGHTING

## LINE VOLTAGE FIXTURE



## MHTL-WP-ECO LED WALLPACK SERIES

### FEATURES

- 0-10V Dimming Driver
- Standard 4kV Surge Protection

### GENERAL INFORMATION

Applications Building Exterior / Parking Garage / Railway Platform / Security Lighting / Walkway

Warranty 10-Year Limited Warranty

Construction Die Cast Aluminum Housing (Bronze)  
Standard Borosilicate Glass Lens - Low Glare

Certifications



### PRODUCT DATA

Universal Input Voltage 120 - 277V

Optional Input Voltage 347V/480V

Power Factor > 0.90 @277V

Mounting Wall Mount

Lumens 11,000 Lumens

Max Input Power 100W

CRI > 75

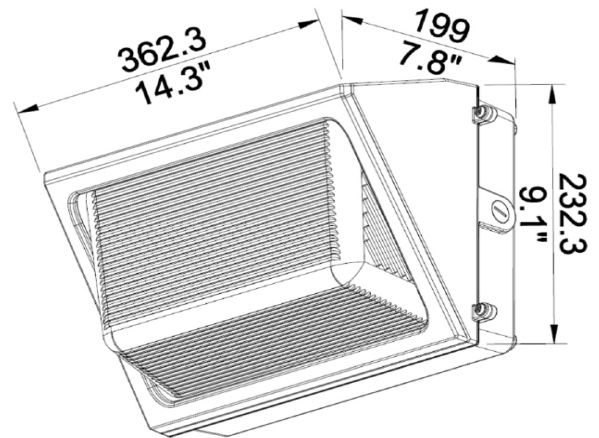
CCT 4000K/5000K

L70 > 100,000 Hours

Rated Lifespan > 100,000 Hours

THD < 20% @277V

### DIMENSIONS



### FIXTURE PERFORMANCE

Model	Input Power	LM/W	CCT	Dimensions
MHTL-WP-ECO-40E-4K-U	40W	110	4400	14.3" x 9.1" x 7.8"
MHTL-WP-ECO-60E-4K-U	60W	110	6,600	14.3" x 9.1" x 7.8"
MHTL-WP-ECO-80E-4K-U	80W	110	8,800	14.3" x 9.1" x 7.8"
MHTL-WP-ECO-100E-4K-U	100W	110	11,000	14.3" x 9.1" x 7.8"

### ORDERING INFO: Sample Code - MHTL-WP-ECO

Series	Wattage	Color Temperatures	Input Voltage	Options
MHTL-WP-ECO				
MHTL-WP-ECO	20 30 40 60 80 100	4K=4000K 5K=5000K	U=120-277V 347=347V 480=480V	(Blank) - Standard in Bronze SPD=Surge Protective Device

