

MHT LIGHTING

PoE FIXTURE

Line Voltage Fixture

CUBE Series

LED LINEAR SUSPENDED Series

FEATURES

- PoE Enabled that works with Inspextor
- 0-10V Line Voltage Available
- Multiple mounting options

GENERAL INFORMATION

Applications Commercial, Hospitals and Health Care, Residential, Education & Industrial

Warranty 10-Year Limited Warranty

Construction Extruded Brushed Aluminum Housing
Reflector: Frosted White Acrylic, Low Glare Diffuser

Certifications



PRODUCT DATA

Electrical Integrated PoE Low Voltage Driver Node or 0-10V LED Driver

Mounting Standard 3FT Aircraft Cable for Suspended Mount

Lumens 2,800 - 5,600 Lumens

Max Input Power PoE: 48W Line Voltage : 65W

CRI > 80

CCT 3000K/3500K/4000K/5000K/Tunable (2700K to 5700K)

L70 Lifetime > 75,000 Hours

Rated Lifespan > 100,000 Hours

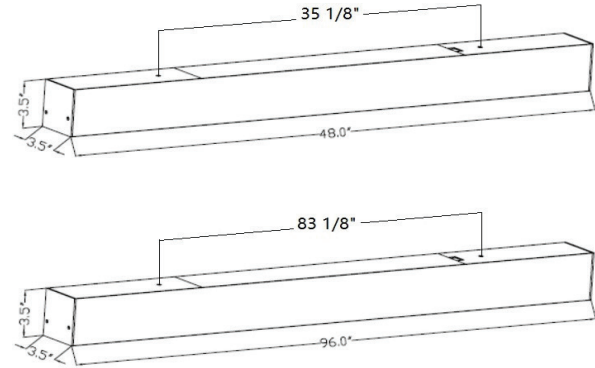
Dimensions CUBE-SC-4: 48"x3.5"x3.5"
CUBE-SC-8: 96"x3.5"x3.5"

ORDERING INFO: Sample Code - MHTI-CUBE-SC-4-28-35K-AC

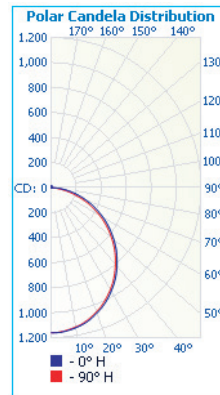
Series	Size & Wattage	Color Temperatures	Mountings	Options
MHT-CUBE				
PoE: MHTI-CUBE-SC LV: MHTL-CUBE	4ft-28W, 35W (PoE/LV) 8ft-48E, 65W (PoE/LV)	3K - 3000K 35K - 3500K 4K - 4000K 5K - 5000K AT - 2700K to 5700K	AC - Suspended Cable (Standard 3FT) PM - 3/8" Threaded Rod Pendant WM - Wall Mount (L-Bracket)	(Blank) - Standard in White (Custom colors available)



DIMENSIONS



PHOTOMETRICS



Center Beam fc	Illuminance at a Distance	
	Beam Width	Beam Width
1.5ft	517 fc	4.1 ft 4.1 ft
3.0ft	129 fc	8.2 ft 8.3 ft
4.5ft	57.5 fc	12.3 ft 12.4 ft
6.0ft	32.3 fc	16.4 ft 16.5 ft
7.5ft	20.7 fc	20.5 ft 20.7 ft
9.0ft	14.4 fc	24.5 ft 24.8 ft

■ Vert. Spread: 107.5°
■ Horiz. Spread: 108.1°

FIXTURE PERFORMANCE

Model	Max Wattage	Lumens/Watt
CUBE-4-28/35W	35W	115 lm/W
CUBE-8-48/65W	65W	115 lm/W

MHT Technologies