

Project	Type	Notes
---------	------	-------

# MHT LIGHTING

## LINE VOLTAGE FIXTURE

### MHTL-LHB-ECO LED LINEAR HIGH BAY SERIES

#### FEATURES

- Steel Body Construction - White
- Frosted Finished Polycarbonate Diffuser
- Selectable Power 65W/85W/105W and 155W/170W/210W
- Standard Chain Mount

#### GENERAL INFORMATION

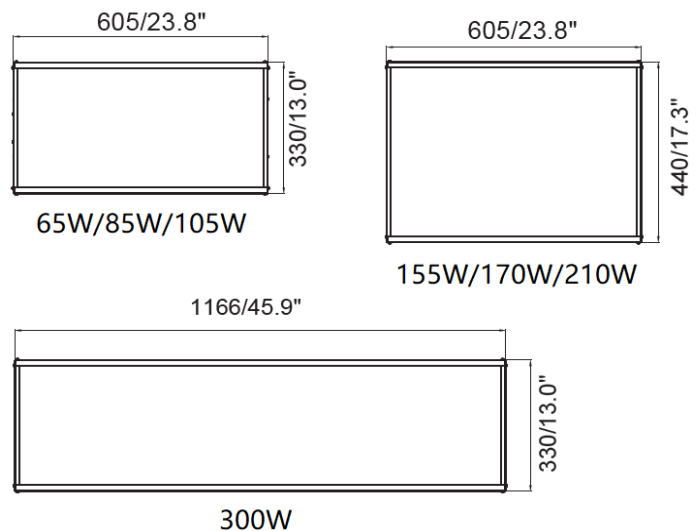
Applications	Gymnasium • Hangers • Manufacturing • Warehouse
Warranty	10-year Limited Warranty
Construction	Steel Body Housing (White) Standard Frosted Finished Polycarbonate Diffuser
Certifications	  

#### PRODUCT DATA

Universal Input Voltage	120 - 277V
Optional Input Voltage	347 / 480V
Power Factor	> 0.90 @277V
Mounting	Standard 3ft Chain Mount - Optional Pendant Mount
Lumens	40,800
Max Input Power	300W
CRI	> 80
CCT	4000K/5000K
L70	> 60,000 Hours
Rated Lifespan	> 100,000 Hours
THD	< 10% @277V



#### DIMENSIONS



#### FIXTURE PERFORMANCE

Model	Power	CCT	(lm)	(inch)
MHTL-LHB-ECO-105E-4K-U	105W	4000K	14,300	23.8" x 13" x 3.6"
MHTL-LHB-ECO-210E-4K-U	210W	4000K	28,600	23.8" x 17.3" x 3.6"
MHTL-LHB-ECO-300E-4K-U	300W	4000K	40,800	45.9" x 13" x 3.6"

#### ORDERING INFO: Sample Code - MHTL-LHB-ECO-110-4K-U-PM-OS



Series	Wattage	Color Temperature	Input Voltage	Mounting	Options
MHTL-LHB-ECO					
MHTL-LHB-ECO	105 210 300	4K=4000K 5K=5000K	U=120-277V 347=347V 480=480V	PM=Pendant Mount CM=Chain Mount (Standard 3ft.)	(Blank) - Standard in White CP=Cord & Plug (Specify Cord & Plug) EM=Emergency Battery Back-up (Field Installed-Remote)