

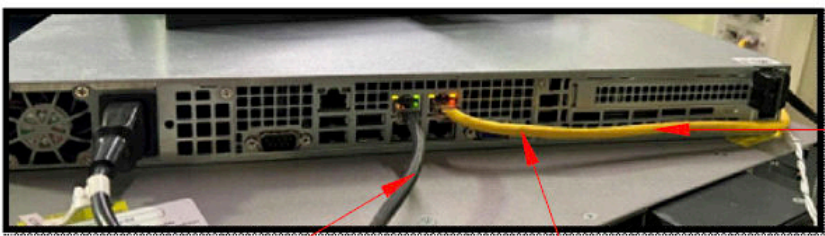


Inspextor Remote Access Instructions

The following instructions will allow for remote access to your Inspextor Server. This allows MHT to commission the system and troubleshoot as needed.

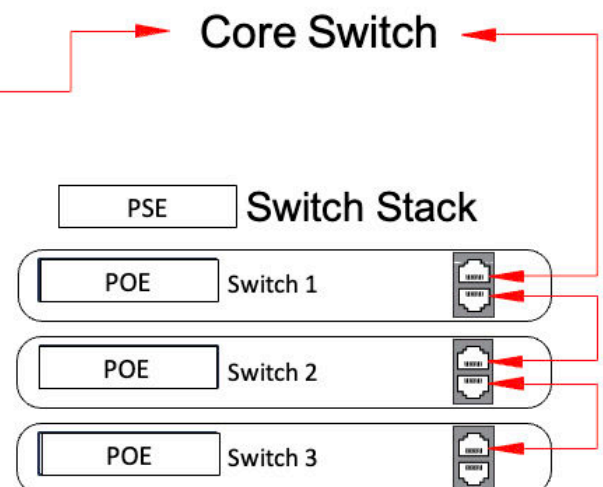
Set-Up Instructions:

1. The cable from the MHT Core Switch will connect to the back side of the Inspextor as shown above.
2. Another cable from the MHT Core Switch will connect to the first Transition switch which is connected in stack.
 - a. You can use the 25th port of the PoE switch to connect this cable from the Core switch.
3. The PoE Switch stack should be connected as below. For example, connect Port 26 of Switch 1 to Port 25 of switch 2. Connect port 26 of switch 2 to the 25th port of switch 3. Continue until the switch stack has ended.



This remote access cable should come from the Internet Accessible Router that is on [site](#)

Ensure cable is connected from the Core switch to the back of the [Inspextor server](#)



Port Forward Information

We need to have web Access and SSH access to our server. To enable web access, use the following instructions:

- Forward internal port 80 to any available external port.
- For SSH access, forward internal port 22 to any available external port.
- Once port forwarding is done, please provide the public IP with the forwarded ports to MHT to allow for remote Inspektor access.