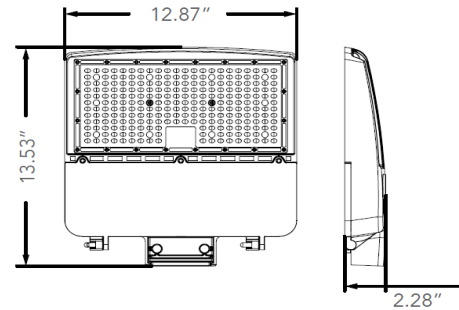


mhtlighting

illuminating PoE technology



DIMENSIONS



MHTL-SB

LED SHOEBOX SERIES

FEATURES

- Die-cast Aluminum Housing
- Polycarbonate Diffuser
- Selectable Power and Color Temperature
- Multiple Mounting Options
- Available PhotoCell Control and Surge Protector
- IP65 and IK08
- UL Wet Location and DLC Listed

GENERAL INFORMATION

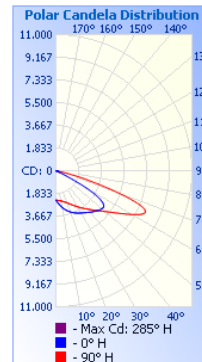
Applications	Building Exteriors, Parking Lots
Warranty	10-year Warranty
Construction	Cast Aluminum Body - Bronze Polycarbonate Diffuser
Certifications	  

PRODUCT DATA

Universal Input Voltage	120 - 277V 50Hz/60Hz - Optional 480V
Power Factor	> 0.90 @ 277V
THD	< 10% @ 277V
Mounting	Extruded Arm / Slip Fitter / Swivel
Lumens	6,300 / 13,300 / 20,300 lm
Max Input Power	45W / 95W / 145W
CRI	> 70
Color Temperature (CCT)	3000K / 4000K / 5000K
L70	> 60,000 Hours
Rated Lifespan	> 100,000 Hours

PHOTOMETRICS

MHTL-SB-95E-4K-U-T3
Luminaire Output: 13,816 lumens, 96.3 Watts



	Illuminance at a Distance		
	Center Beam fc	Beam Width	
4.3R	128 fc	5.9 ft	3.1 ft
8.7R	31.2 fc	12.0 ft	6.4 ft
13.0R	14.0 fc	17.9 ft	9.5 ft
17.3R	7.89 fc	23.8 ft	12.7 ft
21.7R	5.01 fc	29.9 ft	15.9 ft
26.0R	3.49 fc	35.8 ft	19.0 ft

■ Vert. Spread: 69.1°
■ Horiz. Spread: 40.2°

FIXTURE PERFORMANCE

Model	Power	CCT	Lumen	Dimensions
MHTL-SB-45E-4K-U	45W	4000K	6,300 lm	12.87" x 13.53" x 2.28"
MHTL-SB-95E-4K-U	95W	4000K	13,300 lm	12.87" x 13.53" x 2.28"
MHTL-SB-145E-4K-U	145W	4000K	20,300 lm	12.87" x 13.53" x 2.28"

ORDERING INFO: Sample Code - MHTL-SB-145E-5K-U-T3-SF-PC-SPD

Series	Wattage	Color Temperature	Input Voltage	Distribution	Mounting	Options
MHTL-SB						
MHTL-SB	45 / 95 / 145	3K / 4K / 5K	U - 120-277V 480 - 480V	T3 - Type III	EA=Extruded Arm (Adjustable) SF=Slip Fitter (Adjustable) SW=Swivel Mount (Adjustable)	(Blank) - Standard in Bronze PC=Complete PhotoCell Control SPD=Surge Protective Device