

# MHT LIGHTING

PoE FIXTURE

Line Voltage Fixture



## DL-BARILE Series

### LED SQUARE DOWN LIGHT Series

#### FEATURES

- PoE Enabled that works with Inspextor
- 0-10V Line Voltage Available
- Multiple mounting options

#### GENERAL INFORMATION

Applications Airports, Corporate,Campuses, Data Centers, Retail, and Health-care Facilities

Warranty 5-year Limited Warranty

Construction Die-cast Aluminum Housing with Spring Clips Lens: Frosted Polycarbonate Beam Angle: 110°

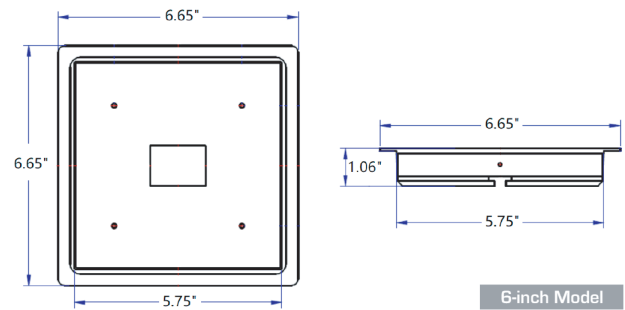
Certifications



#### PRODUCT DATA

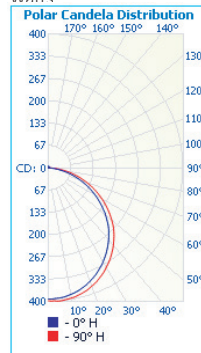
Electrical	Non-integrated PoE Low Voltage Driver Node or 0-10V Driver
Mounting	Flush mount
Lumens	1,000 - 1,900 Lumens
Max Input Power	9/11/14/17W
CRI	> 80
CCT	3000K/3500K/4000K/5000K/Tunable (2700K to 5700K)
L70 Lifetime	> 50,000 Hours
Rated Lifespan	> 60,000 Hours
Dimensions	4-inch Model: 4.7" x 4.7" x 1.1" 6-inch Model: 6.7" x 6.7" x 1.1"

#### DIMENSIONS



#### PHOTOMETRICS

MHTi-DL-BARILE-SC-4-9E  
Luminaire Output: 1,000 lumens, 9 Watts



Center Beam fc	Illuminance at a Distance	
	Beam Width	
1.5ft	174 fc	4.0 ft 4.1 ft
3.0ft	43.4 fc	8.0 ft 8.2 ft
4.5ft	19.3 fc	12.0 ft 12.3 ft
6.0ft	10.9 fc	16.0 ft 16.4 ft
7.5ft	6.95 fc	20.0 ft 20.5 ft
9.0ft	4.82 fc	24.0 ft 24.5 ft

■ Vert. Spread: 106.2°  
■ Horiz. Spread: 107.5°

#### FIXTURE PERFORMANCE

Model	Max Wattage	Lumens/Watt
MHT-DL-BARILE-4-9W	9W	110 lm/W
MHT-DL-BARILE-4-11W	11W	110 lm/W
MHT-DL-BARILE-6-14W	14W	110 lm/W
MHT-DL-BARILE-6-17W	17W	110 lm/W

ORDERING INFO: Sample Code - MHTi-DL-BARILE-SC-4-9E-3K

Series	Size & Wattage	Color Temperatures	Options
DL-BARILE			
PoE: MHTi-DL-BARILE-SC LV: MHTL-DL-BARILE	4"-9W (PoE/LV) 4"-11W (PoE/LV) 6"-14W (PoE/LV) 6"-17W (PoE/LV)	27K - 2700K 3K - 3000K 35K - 3500K 4K - 4000K 5K - 5000K AT - 2700K to 5700K	(Blank) - Standard in White Trim

MHT Technologies