

MHT LIGHTING

PoE FIXTURE

Line Voltage Fixture



SMD Series

LED SURFACE MOUNTED DOWNLIGHT Series

FEATURES

- PoE Enabled that works with Inspextor
- 0-10V Line Voltage Available
- LED Surface Mounted LED Square Downlight Fixture Designed for 4-inch J-Box

GENERAL INFORMATION

Applications Bathrooms, Corridors, and Other Interior Spaces

Warranty 5-year Limited Warranty

Construction Die-cast Alumium Trim
Lens: White Frosted Polycarbonate

Certifications



PRODUCT DATA

Electrical Non-Integrated PoE Low Voltage Driver Node,
Sensor and Emergency Battery Backup.

Mounting Ceiling surface mount

Lumens 1,000-1,400 Lumens

Max Input Power PoE/Line Voltage: 10W/14W

CRI > 90

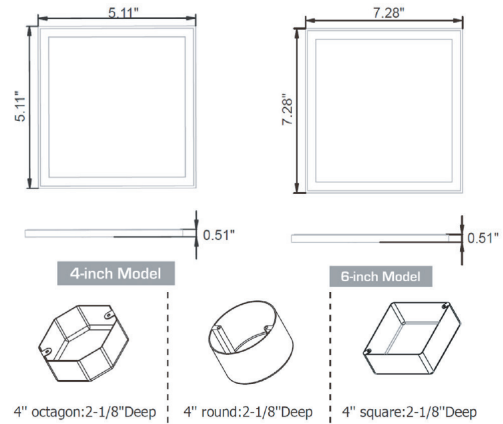
CCT 3000K/3500K/4000K/5000K

L70 Lifetime > 50,000 Hours

Rated Lifespan > 60,000 Hours

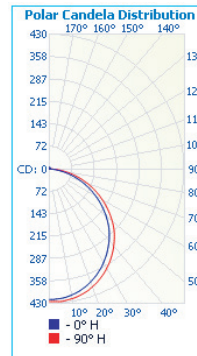
Dimensions 4-inch - 5.11" x 5.11" x 0.51
6-inch - 7.28" x 7.28" x 0.51

DIMENSIONS



4-inch Model is not compatible with 4" square box

PHOTOMETRICS

MHTi-SMD-SC-S-4-10E
Luminaire Ouput: 1,056 lumens, 10
Watts

Center Beam Fc	Illuminance at a Distance	
	Beam Width	Beam Width
1.5ft	185 fc	4.0 ft 4.1 ft
3.0ft	46.2 fc	8.0 ft 8.2 ft
4.5ft	20.5 fc	12.0 ft 12.3 ft
6.0ft	11.5 fc	16.0 ft 16.4 ft
7.5ft	7.39 fc	20.0 ft 20.5 ft
9.0ft	5.13 fc	24.0 ft 24.5 ft

■ Vert. Spread: 106.2°
■ Horiz. Spread: 107.5°

FIXTURE PERFORMANCE

Model	Max Wattage	Lumens/Watt
MHT-SMD-S-4-10W	10W	100 lm/W
MHT-SMD-S-6-14W	14W	100 lm/W

ORDERING INFO: Sample Code - MHTi-SMD-S-SC-4-10E-4K

Series	Size & Wattage	Color Temperatures	Options
MHT-SMD-S			
PoE: MHTi-SMD-SC LV: MHTL-SMD	S-4-10W (PoE/LV) S-6-14W (PoE/LV)	3K - 3000K 35K - 3500K 4K - 4000K 5K - 5000K	(Blank) - Standard in White Trim