




## MHTL-HB-PRM

### LED UFO High Bay SERIES

#### FEATURES

- Die-cast Aluminum Housing
- Frosted Polycarbonate Diffuser
- 110 Degree Wide Distribution
- Selectable 100W/125W/150W or 150W/200W/240W
- Available Plug and Play Motion Sensor
- UL and DLC Listed - Wet Location Rated

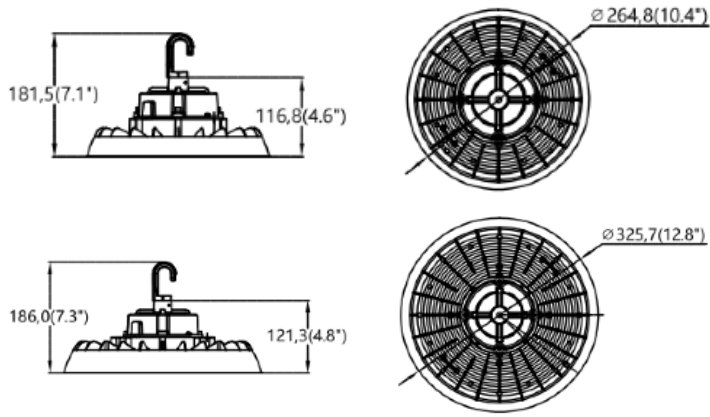
#### GENERAL INFORMATION

Applications	Convention Center, Gymnasium, Manufacturing, Warehouse
Warranty	10-year Limited Warranty
Construction	Cast Aluminum Body - Black Frosted Polycarbonate Diffuser
Certifications	  

#### PRODUCT DATA

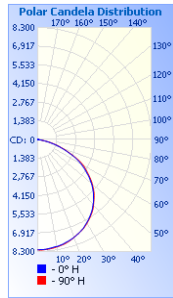
Universal Input Voltage	120 - 277V 50Hz/60Hz
Power Factor	> 0.90 @ 277V
THD	< 10% @ 277V
Mounting	Hook / 1/2" Pendant / 3/4" Pendant
Lumens	14,000lm / 17,500lm / 21,000lm / 28,000lm / 33,600lm
Max Input Power	100W / 125W / 150W / 200W / 240W
CRI	> 80
Color Temperature (CCT)	4000K / 5000K
L70	> 60,000 Hours
Rated Lifespan	> 100,000 Hours

#### DIMENSIONS



#### PHOTOMETRICS

MHTL-HB-PRM-150E-5K-U  
Luminaire Output: 21,241 lumens, 150.9 Watts



Distance (ft)	Center Beam fc	Beam Width
5.0R	328 fc	15.4 ft x 15.6 ft
10.0R	82.0 fc	30.7 ft x 31.1 ft
15.0R	36.4 fc	46.1 ft x 46.7 ft
20.0R	20.5 fc	61.4 ft x 62.3 ft
25.0R	13.1 fc	76.8 ft x 77.8 ft
30.0R	9.1 fc	92.1 ft x 93.4 ft

■ Vert. Spread: 113.8°  
■ Horiz. Spread: 114.6°

#### FIXTURE PERFORMANCE

Model	Power	CCT	Lumen	Dimensions (inch)
MHTL-HB-PRM-100E-5K-U	100W	5000K	14,000 lm	Dia. 10.4" x Height 7.1"
MHTL-HB-PRM-125E-5K-U	125W	5000K	17,500 lm	Dia. 10.4" x Height 7.1"
MHTL-HB-PRM-150E-5K-U	150W	5000K	21,000 lm	Dia. 10.4" x Height 7.1"
MHTL-HB-PRM-200E-5K-U	200W	5000K	28,000 lm	Dia. 12.8" x Height 7.3"
MHTL-HB-PRM-240E-5K-U	240W	5000K	33,600 lm	Dia. 12.8" x Height 7.3"

#### ORDERING INFO: Sample Code - MHTL-HB-PRM-150E-5K-U-OCC

Series	Wattage	Color Temperature	Input Voltage	Mounting	Options
MHTL-HB-PRM					
MHTL-HB-PRM	100 125 150 200 240	4K - 4000K 5K - 5000K	U - 120-277V 480 - 277-480V	(Blank) - Hook Mount 1/2PM - 1/2" Pendant Mount 3/4PM - 3/4" Pendant Mount	(Blank) - Standard in Black OCC - Microwave Occupancy Sensor